



The FS-X series universal surface speakers are compact systems with rugged, molded high impact polystyrene to ensure its durability and sound quality.

Designed for wide-ranging indoor applications. Matching transformer with multi taps for 100/70V/8Ω input offering versatility, and it is capable for commercial audio and public address applications.

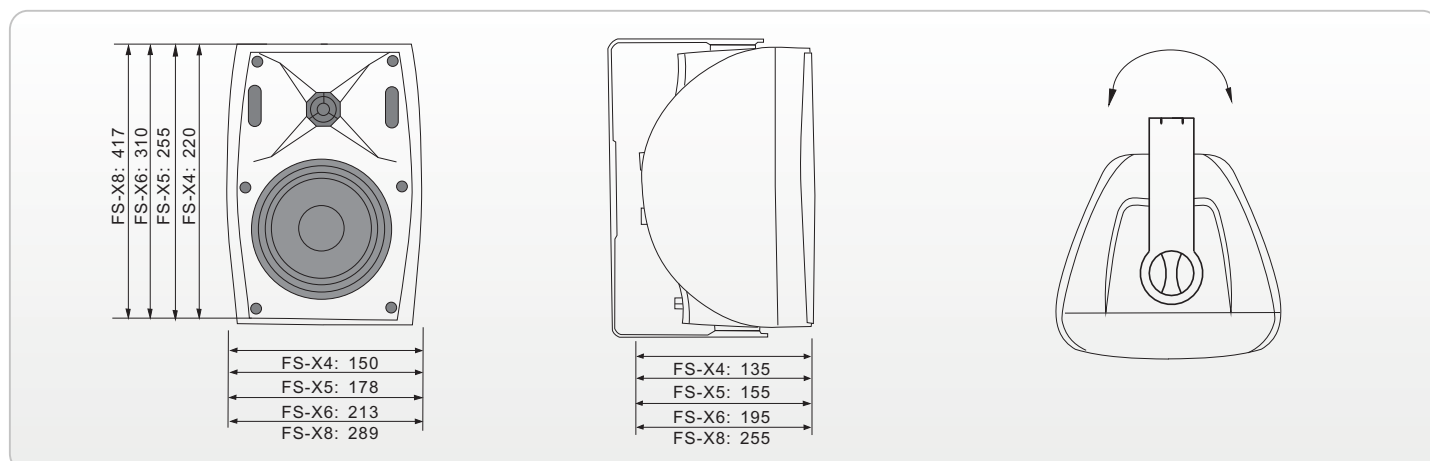
We offer black and white alternative color or other customizable colors which is fit for different environment.

Humanizing design mounting bracket makes installation easy and fast, saving installation cost and time. You can also change the speaker's any angle in order to control sound directivity.

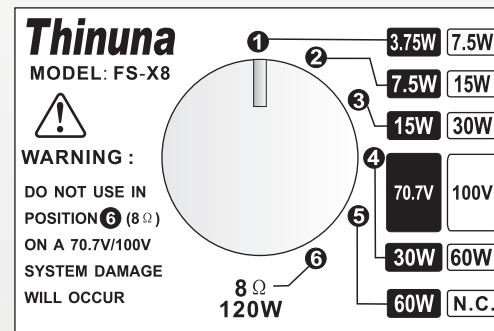
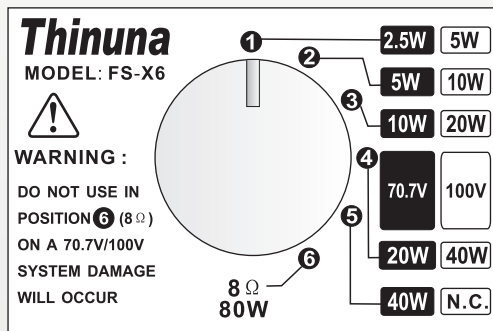
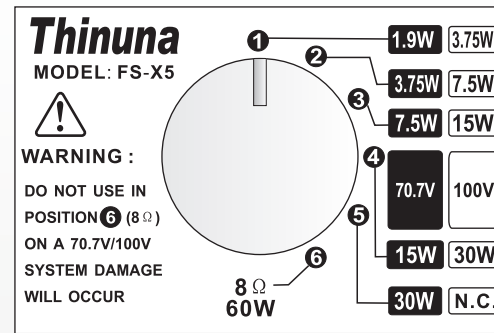
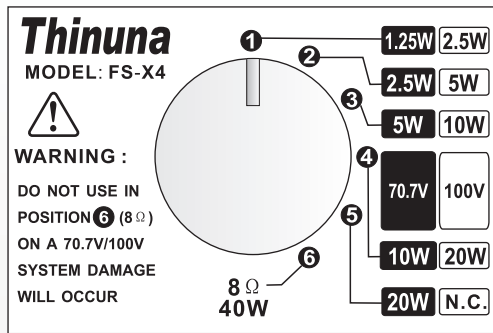
FEATURES

- * Universal, surface-mounted fashion speaker design for pro-audio and commercial market.
- * All models have 100/70V and 8Ω selectable switch.
- * Tremble is permeable, bright, soft and comfortable.
- * Powerful bass, also massive and strong.
- * Matching transformer with multi tapplings for 100/70V input.
- * Customizable colour available of HIPS enclosures and usually the color is black or white
- * Attractive cabinet design for improved sound directivity.
- * Very high quality 2 way speaker system with 4", 5.25", 6.5", 8" woofer and 1" tweeter.
- * U type steel bracket include for fast and easy installation. (Also optional other bracket)

PANEL DRAWING & DIMENSIONS



POWER TAPS



SPECIFICATIONS

Model No.	FS-X4 B/W	FS-X5 B/W	FS-X6 B/W	FS-X8 B/W
Rated Input	20W@100/70V 40W@8Ω	30W@100/70V 60W@8Ω	40W@100/70V 80W@8Ω	60W@100/70V 120W@8Ω
Max Input	30W@100/70V; 80W@8Ω	45W@100/70V; 120W@8Ω	60W@100/70V; 160W@8Ω	90W@100/70V; 240W@8Ω
High Impedance	250Ω, 500Ω, 1kΩ, 2kΩ, 4kΩ	167Ω, 333Ω, 667Ω, 1.3kΩ, 2.6kΩ	125Ω, 250Ω, 500Ω, 1kΩ, 2kΩ	83Ω, 167Ω, 333Ω, 667Ω, 1.3kΩ
Power Taps	100V: 20W, 10W, 5W, 2.5W; 70V: 20W, 10W, 5W, 2.5W, 1.25W	100V: 30W, 15W, 7.5W, 3.75W; 70V: 30W, 15W, 7.5W, 3.75W, 1.9W	100V: 40W, 20W, 10W, 5W; 70V: 40W, 20W, 10W, 5W, 2.5W	100V: 60W, 30W, 15W, 7.5W; 70V: 60W, 30W, 15W, 7.5W, 3.75W
SPL (1W / 1m)	86dB	88dB	90dB	92dB
MAX SPL (Rated / 1m)	98dB@100/70V; 102dB@8Ω	103dB@100/70V; 106dB@8Ω	106dB@100/70V; 109dB@8Ω	110dB@100/70V; 113dB@8Ω
Frequency Response (-10dB)	90Hz~20kHz	90Hz~20kHz	80Hz~20kHz	55Hz~20kHz
Dispersion (4kHz/ 1kHz)	130° / 200°	125° / 190°	80° / 190°	75° / 190°
Power Selecting Way	Selecting Switch			
Material	Housing: HIPS (High Impact Polystyrene); Grille: Steel			
Color	FS-X4B, X5B, X6B, X8B: Black; FS-X4W, X5W, X6W, X8W: Ivory			
Temperature / Humidity	-20~55°C; <95%			
Speaker Component	4" Woofer + 1" Tweeter	5.25" Woofer + 1" Tweeter	6.5" Woofer + 1" Tweeter	8" Woofer + 1" Tweeter
Dimensions (W x H x D)	150 x 220 x 135	178 x 255 x 155	213 x 310 x 195	289 x 417 x 255
Weight	2.1kg	3.1kg	3.7kg	6.6kg
Mounting	U Type Mounting Bracket Or Optional Other Bracket			
Shipping Weight	5kg, 2pcs	7kg, 2pcs	9kg, 2pcs	16kg, 2pcs
Shipping Dimensions	0.0301CBM, 43 x 25 x 28 cm, 2pcs	0.0479CBM, 50 x 29 x 33 cm, 2pcs	0.0711CBM, 55 x 34 x 38 cm, 2pcs	0.1196CBM, 67 x 35 x 51 cm, 2pcs