



The MS Series is the top product of Thinuna speakers, this series designed to offer excellent sound quality, high fidelity, high-power, high SPL, and widely coverage throughout the listening area. Each speaker has amazing performance.

The crossover which has accurately designed can make bass and treble well arranged, rear-mounted bass reflex make these speakers in smaller size and comply with all kinds of installations requirements.

If you chose this top ceiling speaker, it means you chose the sound quality ---- the ideal choice for accurate, quality reproduction of both music and speech, it can meet the satisfaction of various places which have special demands. Such as: brand stores, conference centers, boardrooms, restaurants, stations, airports and any other places which requiring excellent sound quality. Combined with MS-10SUB ceiling subwoofer it can use for a mini show or karaoke.

All the models have 100/70V and 8Ω selecting switch. 100V and 70V input provides 3 power selections, so it is well suited for applications of public address system, commercial audio and professional audio field.

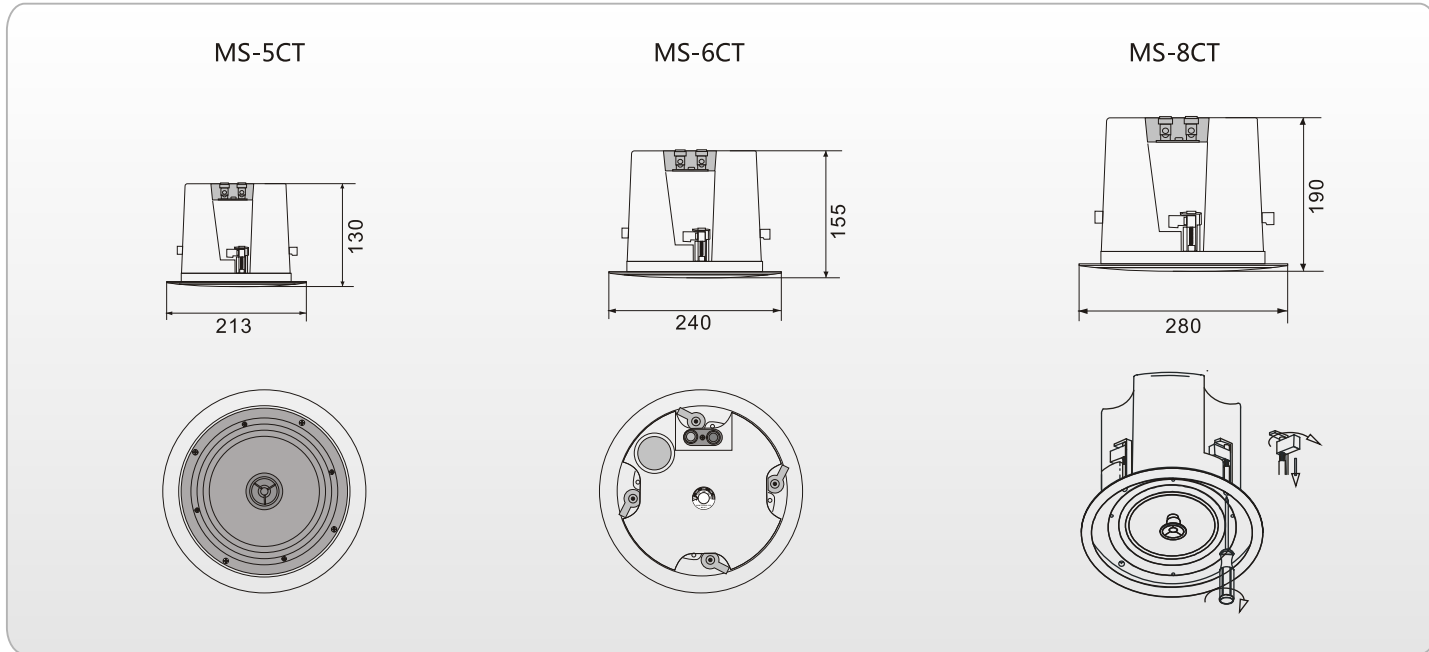
#### ■ FEATURES

- The top ceiling speakers of Thinuna.
- Designed for pro-audio and commercial market.
- Amazing sound quality.
- Ported enclosure for extended bass response.
- Powerful and surge bass, also massive and strong.
- Excellent 2 way speaker systems with 5.25" , 6.5" , 8" woofer and coaxial tweeter.
- All models have 100/70V and 8Ω selecting switch.
- Matching transformer with 3 tapings for 100/70V input.
- Dished grille design for acoustic integrity
- Rotating mount ears makes installation fast and easy.
- Safety steel cable connective terminal.

#### ■ SPECIFICATIONS

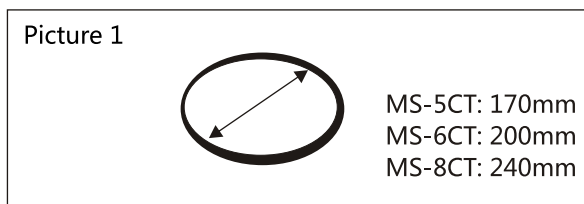
Model No.	MS-5CT	MS-6CT	MS-8CT
Rated Input	30W@100V; 60W@8Ω	40W@100V; 80W@8Ω	60W@100V; 120W@8Ω
Max Input	45W@100V; 120W@8Ω	60W@100V; 160W@8Ω	90W@100V; 240W@8Ω
High Impedance	333Ω, 667Ω, 1.3kΩ	250Ω, 500Ω, 1kΩ	167Ω, 333Ω, 666Ω
Power Taps	100V: 30 W, 15 W, 7.5W 70V: 15 W, 7.5 W, 3.75W	100V: 40 W, 20 W, 10W 70V: 20 W, 10 W, 5W	100V: 60 W, 30 W, 15W 70V: 30 W, 15 W, 7.5W
SLP (1W / 1m)	87dB	89dB	91dB
MAX SLP (Rated / 1m)	102dB@100/70V; 105dB@8Ω	105dB@100/70V; 108dB@8Ω	109dB@100/70V; 111dB@8Ω
Frequency Response (-10dB)	85Hz~25kHz	70Hz~25kHz	55Hz~25kHz
Dispersion (4kHz / 1kHz)	70° / 140°	65° / 140°	50° / 100°
Power Selecting Way	Rotating Selection Switch		
Material	Panel & Cover : ABS; Grille : steel		
Color	Ivory		
Temperature / Humidity	-20°C ~ 55°C; <95%		
Speaker Component	5.25' ' Woofer + 1' ' Tweeter	6.5' ' Woofer + 1' ' Tweeter	8' ' Woofer + 1' ' x2 Tweeter t
Dimensions	Ø213 x 130H mm	Ø240 x 155H mm	Ø280 x 190H mm
Mounting Hole	Ø 170 mm	Ø 200 mm	Ø 240 mm
Weight	1.5kg	2.0kg	2.8kg
Mounting	4 Rotating Mount Ears		

■ **PANEL DRAWING & DIMENSIONS**

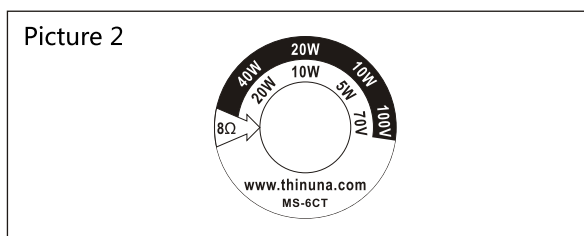


■ **INSTALLATION**

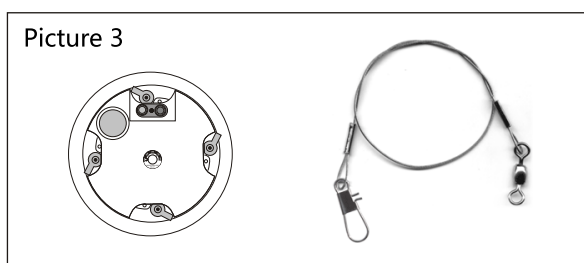
Step 1. Make a hole with the following diameter in the ceiling.



Step 2. Set the right position of the power taps.  
Make sure connect to 100V/70V or 8ohms system.  
Never connect 8ohms to 100V/70V system or damage will occur.



Step 3. Connect the speaker cables to the output from amplifier or PA system.  
Parallel-branch connections can be made.  
Fasten the safety steel cable to the connective terminal.



Step 4. Mount the speaker in the ceiling as picture 4 shows.  
Turn the attached screws clockwise to tighten the 4 rotating ears.

