



TS-CT Series ceiling speaker provide high power and acceptable SPL, offering all the mounting fittings: metallic flameproof cover, metallic grille and safety cable terminal. Innovative design can cover throughout the listening area.

All the models have 100/70V and 8Ω selectable switch, offering multi power taps for 100V/70V high impedance input, suitable for the application of public address system , commercial and profession audio market.

It is styling, the performance make this loudspeaker well suited for background music and speech reproduction in a wide range of business environments, from retail, conference rooms and restaurant operations to hotels, office buildings and airports.

Rotating mount ears can makes installtion quickly and conveniently without entering the ceiling.

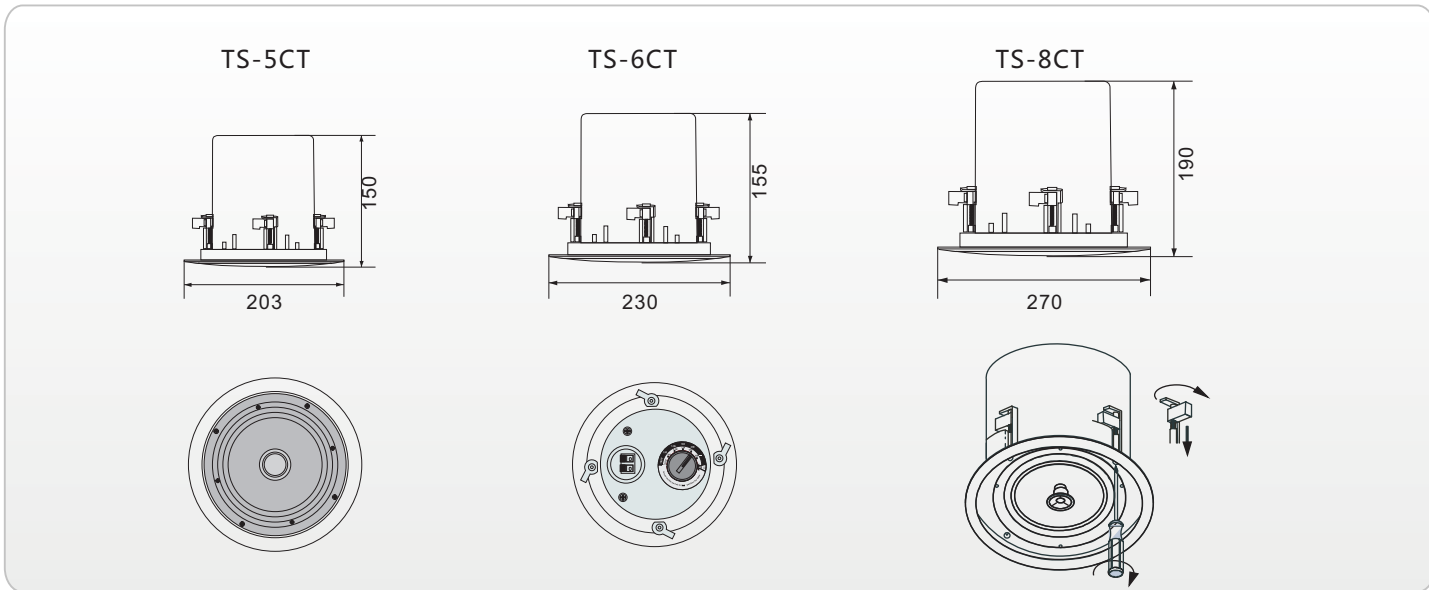
## FEATURES

- \* Designed for pro-audio and commercial audio market.
- \* Build-in coaxial tweeter.
- \* All models have 100/70V and 8Ω selectable switch.
- \* Matching transformer with multi tapplings for 100/70V input.
- \* 2 way speaker system with 5.25" , 6.5" , 8" woofer and 1" tweeter.
- \* Dished grille design for acoustic integrity.
- \* Rotating mount ears makes installation fast and easy.

## SPECIFICATIONS

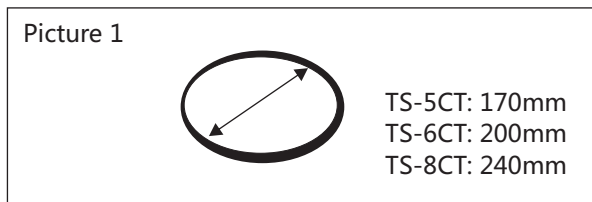
Model No.	TS-5CT	TS-6CT	TS-8CT
Rated Input	20W@100/70V; 30W@8Ω	30W@100/70V; 45W@8Ω	40W@100/70V; 60W@8Ω
Max Input	30W@100/70V; 60W@8Ω	45W@100/70V; 90W@8Ω	60W@100/70V; 120W@8Ω
High Impedance	250Ω, 500Ω, 1kΩ, 2kΩ, 4kΩ	167Ω, 333Ω, 667Ω, 1.3kΩ, 2.6kΩ	125Ω, 250Ω, 500Ω, 1kΩ, 2kΩ
Power Taps	100V: 20W, 10W, 5W, 2.5W; 70V: 20W, 10W, 5W, 2.5W, 1.25W	100V: 30W, 15W, 7.5W, 3.75W 70V: 30W, 15W, 7.5W, 3.75W, 1.9W	100V: 40W, 20W, 10W, 5W 70V: 40W, 20W, 10W, 5W, 2.5W
SPL (1W / 1m)	86dB	87dB	89dB
MAX SPL (Rated / 1m)	99dB@100/70V; 101dB@8Ω	102dB@100/70V; 103dB@8Ω	105dB@100/70V; 107dB@8Ω
Frequency Response(-10dB)	100Hz~20kHz	80Hz~20kHz	60Hz~20kHz
Dispersion (4kHz / 1kHz)	70° / 140°	65° / 140°	50° / 100°
Power Selecting Way	Rotating Selection Switch		
Material	Panel: ABS; Grille & Cover: steel		
Color	Brilliant White		
Temperature / Humidity	-20°C ~ 55°C; <95%		
Speaker Component	5.25" Woofer + 1" Tweeter	6.5" Woofer + 1" Tweeter	8" Woofer + 1" Tweeter
Dimensions	Ø203 x 150H mm	Ø230 x 155H mm	Ø270 x 190H mm
Mounting Hole	Ø 170 mm	Ø 200 mm	Ø 240 mm
Weight	1.8kg	2.3kg	3.1kg
Mounting	4 Rotating Mount Ears		
Shipping Weight	18.5kg, 8pcs	23kg, 8pcs	15kg, 4pcs
Shipping Dimensions	0.1134CBM, 54 x 50 x 42 cm, 8pcs	0.1396CBM, 59 x 55 x43 cm, 8pcs	0.1067CBM, 64 x 34 x 49 cm, 4pcs

**PANEL DRAWING & DIMENSIONS**

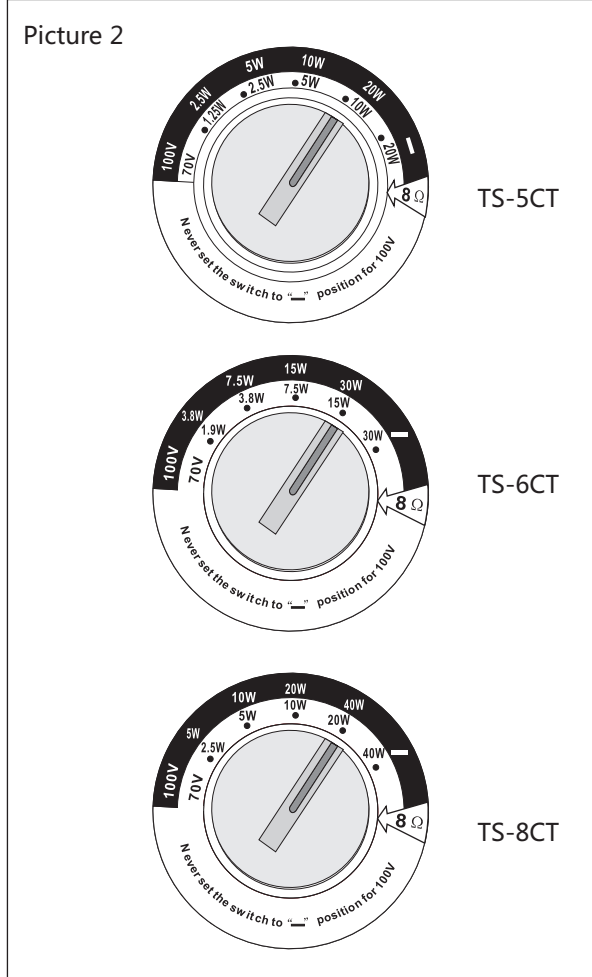


**INSTALLATION**

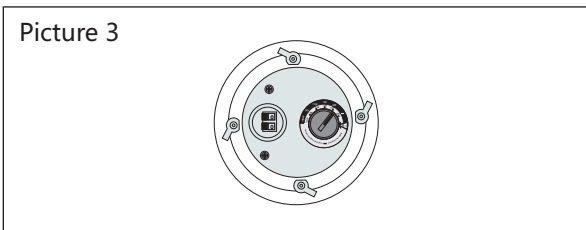
Step 1. Make a hole with the following diameter in the ceiling.



Step 2. Set the right position of the power taps.  
Make sure connect to 100V/70V or 8ohms system.  
Never connect 8ohms to 100V/70V system or damage will occur.



Step 3. Connect the speaker cables to the output from amplifier or PA system.  
Parallel-branch connections can be made.



Step 4. Mount the speaker in the ceiling as picture 4 shows.  
Turn the attached screws clockwise to tighten the 4 rotating ears.

